



## Food Processor PREP4YOU Cutter Mixer 2,6 Lt copolyster bowl - Single Speed

ITEM # \_\_\_\_\_

MODEL # \_\_\_\_\_

NAME # \_\_\_\_\_

SIS # \_\_\_\_\_

AIA # \_\_\_\_\_



**600960 (DK26P)**

Cutter mixer 2.6 lt with transparent copolyester bowl 1500 rpm, Schuko plug

### Short Form Specification

Item No. \_\_\_\_\_

Table top cutter mixer. 2,6 litres, transparent copolyester bowl with scraper and central feed hole for adding products in mid-cycle. Transparent copolyester lid. Microtoothed blade rotor. Angled blades and conical base of the bowl ensure consistent mixing. All ingredients are processed evenly and quickly thanks to a special flow generated inside the bowl. No-volt release system prevents accidental start of the appliance. All parts in contact with food are removable and Dishwasher safe. Waterproof, easy to clean, flat, soft-touch buttons. Single speed 1500 rpm with on/pulse/off function for simple operations. With Schuko plug.

### Main Features

- Tabletop cutter mixer and emulsifier allowing fast chopping, mixing, mincing, griding, liquidizing and kneading.
- Includes 2,6 liter, transparent bowl with micro-toothed blades rotor.
- Bowl/lid scraper included for uniform smooth results (emulsifying) and continuous working.
- Transparent lid, with funnel shaped hole, to add ingredients during use.
- All ingredients are processed evenly and quickly thanks to a special movement generated inside the bowl.
- Easy to clean and waterproof control panel with flat on/off button and pulse function.
- Pulse function for coarse chopping.
- All parts in contact with food are removable without the use of tools, completely dismountable and dishwasher safe.
- Productivity up to 50 settings per service.

### Construction

- 1 speed: 1.500 rpm.
- Power: 500 Watts.
- Bowl in BPA-free, transparent copolyester.
- Micro-toothed blades in 420 AISI stainless steel and ergonomic scraper in resistant composite material to ensure consistent mixing.
- compact design, easy to move and store.
- IPX5 (IP55) waterproof, flat, touch-control panel.
- Main switch ON/OFF on the back of the appliance.
- Asynchronous industrial motor with no brushes for high reliability and quiet functioning, stainless steel motor shaft.
- Food safety assured in accordance to European directives and UK legislation. In addition, materials in contact with food, are BPA-free.
- Product safety conform to European directives, UK legislation and international health and safety standards.

### Included Accessories

- 1 of Transparent lid PNC 650117 for 2,6lt cutter mixer bowl
- 1 of Microtoothed blade rotor for 2.6lt Cutter Mixer PNC 650226

APPROVAL: \_\_\_\_\_



## Food Processor PREP4YOU Cutter Mixer 2,6 Lt copolyester bowl - Single Speed

- 1 of Transparent copolyester bowl for 2,6lt Cutter Mixer PNC 650229
- 1 of Scraper for 2.6lt Cutter Mixer bowl PNC 650230

### Optional Accessories

- Transparent lid for 2,6lt cutter mixer bowl PNC 650117
- Transparent lid without sealing for 3,6lt Cutter Mixer bowl (1 speed models) PNC 650118
- Microtoothed blade rotor for 2.6lt Cutter Mixer PNC 650226
- Smooth blade rotor for 2.6lt Cutter Mixer PNC 650227
- Stainless steel bowl for 2,6lt Cutter Mixer PNC 650228
- Transparent copolyester bowl for 2,6lt Cutter Mixer PNC 650229
- Scraper for 2.6lt Cutter Mixer bowl PNC 650230
- Stainless steel bowl for 2,6lt Cutter Mixer, microtoothed rotor, lid with scraper PNC 650231
- Microtoothed blade rotor for 3.6lt Cutter Mixer PNC 650233
- Smooth blade rotor for 3.6lt Cutter Mixer PNC 650234
- Stainless steel bowl for 3.6lt Cutter Mixer PNC 650235
- Scraper for 3.6lt Cutter Mixer bowl PNC 650236
- Transparent bowl for 2,6lt cutter mixer, microtoothed rotor, lid with scraper PNC 650245



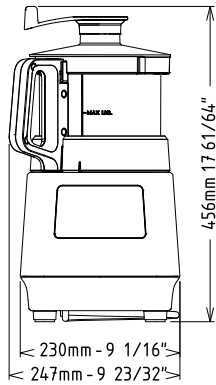
Food Processor  
PREP4YOU Cutter Mixer 2,6 Lt copolyester bowl - Single Speed  
The company reserves the right to make modifications to the products  
without prior notice. All information correct at time of printing.

2025.05.12

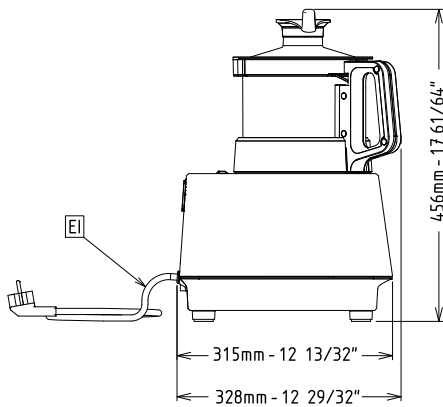


# Food Processor PREP4YOU Cutter Mixer 2,6 Lt copolyester bowl - Single Speed

Front

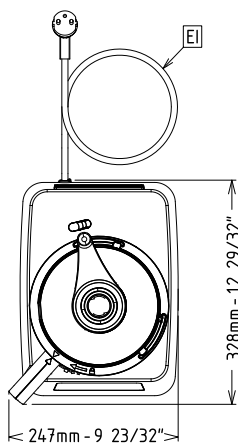


Side



EI = Electrical inlet  
(power)

Top



Electric

**Supply voltage:** 220-240 V/1N ph/50 Hz  
**Electrical power, max:** 0.5 kW  
**Total Watts:** 0.5 kW

Capacity:

**Performance (up to):**

**Capacity:** 2.6 litres

Key Information:

**External dimensions,**

**Width:** 247 mm

**External dimensions,**

**Depth:** 328 mm

**External dimensions,**

**Height:** 456 mm

**Shipping weight:** 15.2 kg

**Meat mincing capacity:** 0 kg

**Mayonnaise preparation  
capacity:** 0 kg

**Pastry preparation  
capacity:** 0 kg

Food Processor  
PREP4YOU Cutter Mixer 2,6 Lt copolyester bowl - Single Speed

The company reserves the right to make modifications to the products  
without prior notice. All information correct at time of printing.

